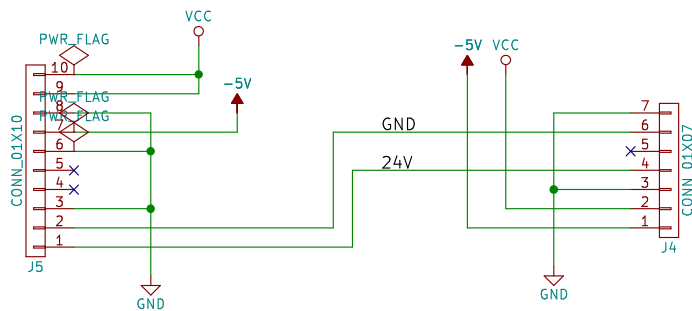
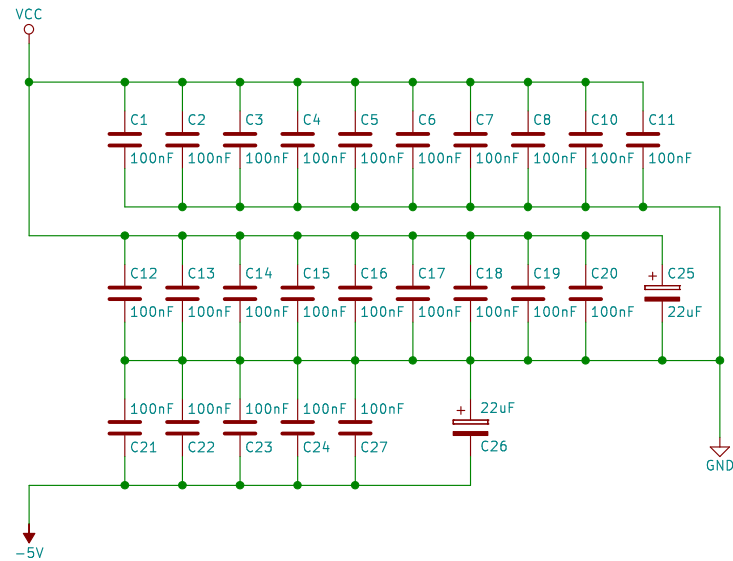
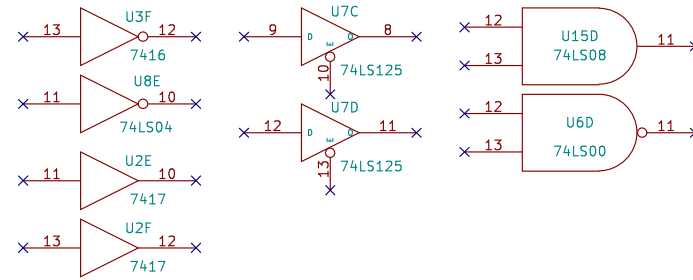


Sheet: FINCH\_Adapter\_Board\_02

Sheet: FINCH\_Adapter\_Board\_03

File: FINCH\_Adapter\_Board\_02.sch

File: FINCH\_Adapter\_Board\_03.sch



Oliver Lehmann

Sheet: /  
File: FINCH\_Adapter\_Board.sch

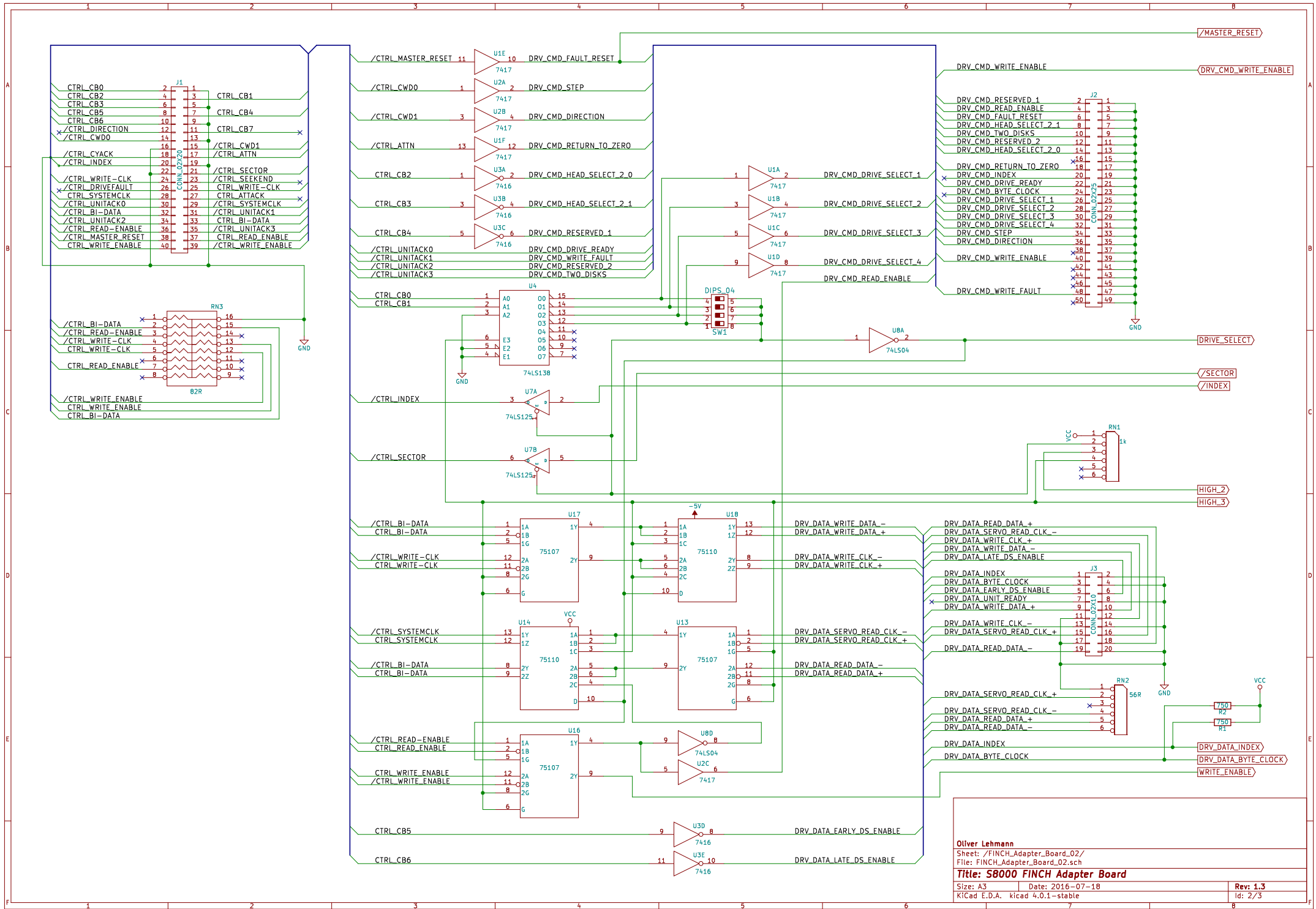
**Title: S8000 FINCH Adapter Board**

Size: A4 Date: 2016-07-27

KiCad E.D.A. kicad 4.0.1-stable

Rev: 1.2

Id: 1/3



Oliver Lehmann  
 Sheet: /FINCH\_Adapter\_Board\_02/  
 File: FINCH\_Adapter\_Board\_02.sch  
**Title: SB000 FINCH Adapter Board**  
 Size: A3 | Date: 2016-07-18 | Rev: 1.3  
 KiCad E.D.A. | kicad 4.0.1-stable | Id: 2/3

