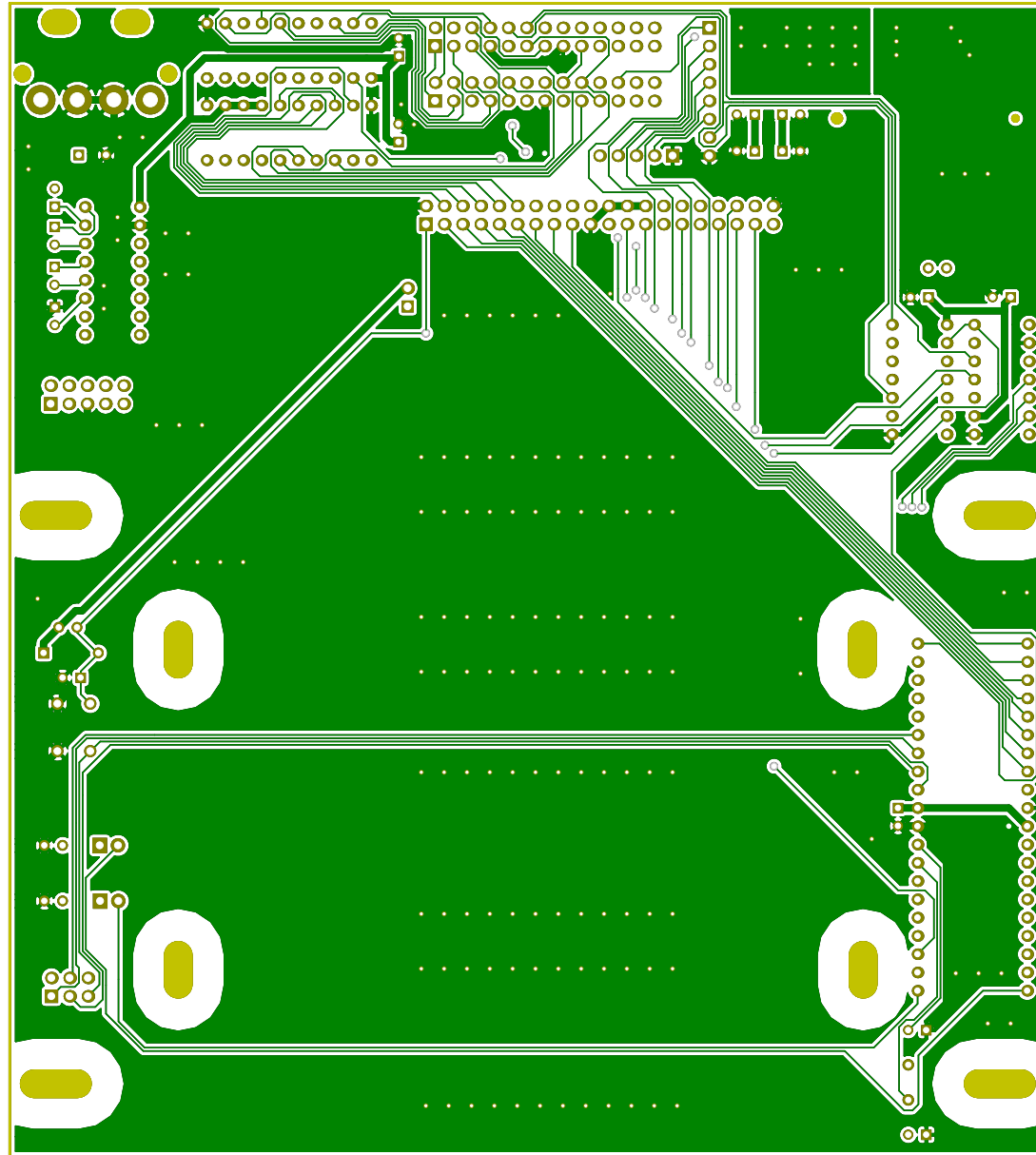
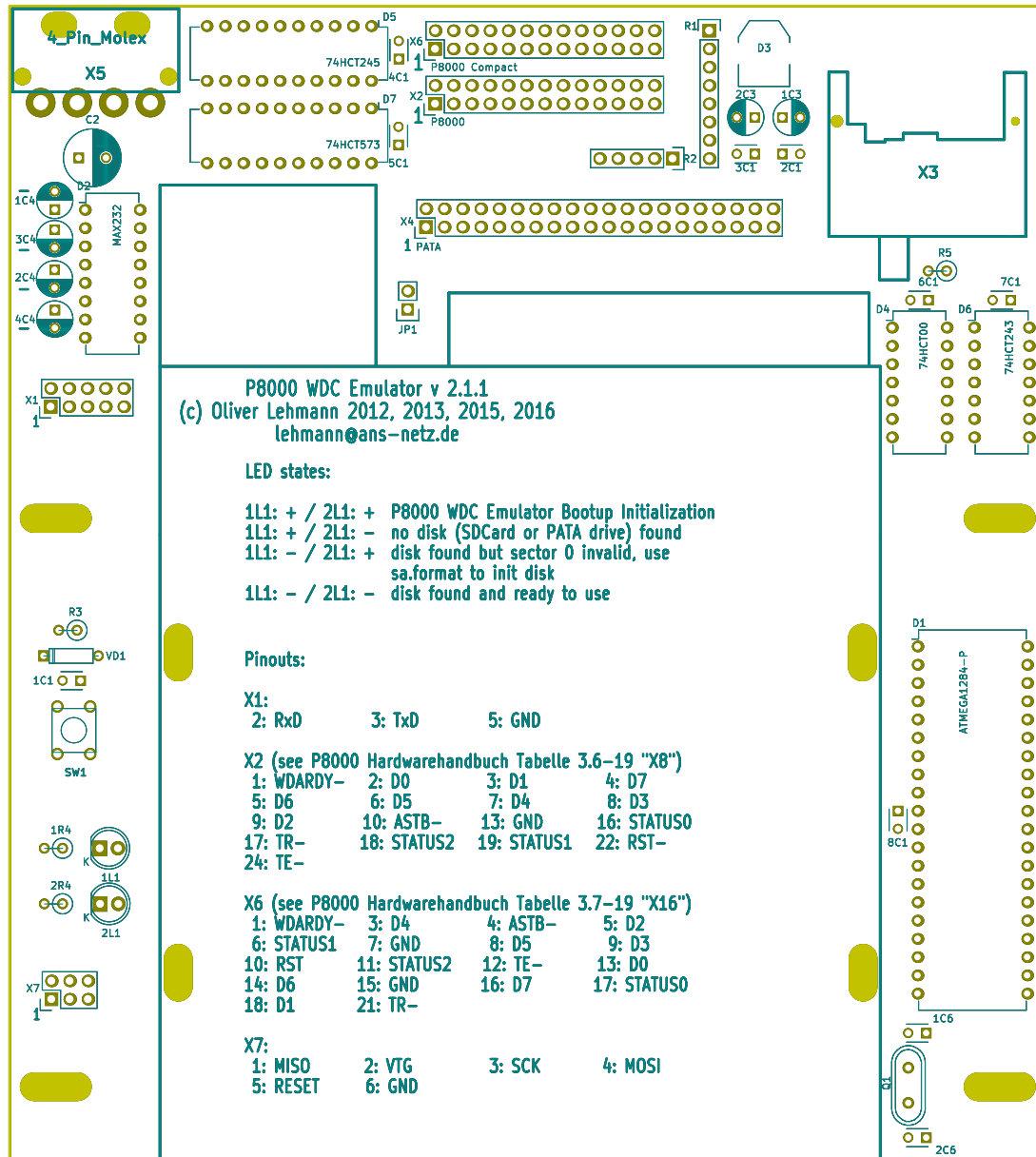


Sheet:	
File: P8000_WDC_Emulator.kicad_pcb	
Title: P8000 WDC Emulator	
Size: A4	Date: 2016-06-22
KiCad E.D.A. kicad 4.0.1-stable	Rev: 2.1.1
	Id: 1/1



Sheet:	
File: P8000_WDC_Emulator.kicad_pcb	
Title: P8000 WDC Emulator	
Size: A4	Date: 2016-06-22
KiCad E.D.A. kicad 4.0.1-stable	Rev: 2.1.1
	Id: 1/1



Sheet:	
File: P8000_WDC_Emulator.kicad_pcb	
Title: P8000 WDC Emulator	
Size: A4	Date: 2016-06-22
KiCad E.D.A. kicad 4.0.1-stable	Rev: 2.1.1
	Id: 1/1