

Oliver Lehmann

Sheet:

File: P8000_Echtzeituhr.kicad_pcb

Title: P8000 Echtzeituhr

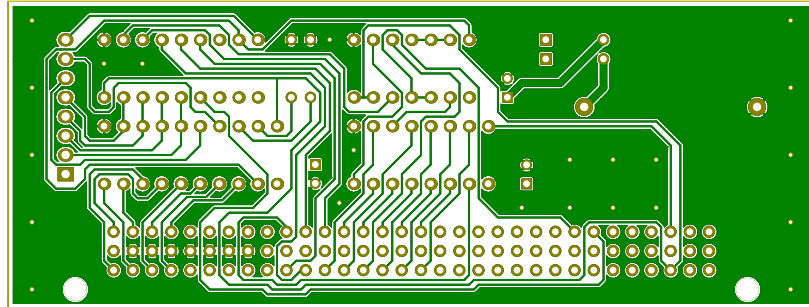
Size: A4

Date: 2016-07-03

Rev: 1.2

KiCad E.D.A. kicad 4.0.1-stable

Id: 1/1



Oliver Lehmann

Sheet:

File: P8000_Echtzeituhr.kicad_pcb

Title: P8000 Echtzeituhr

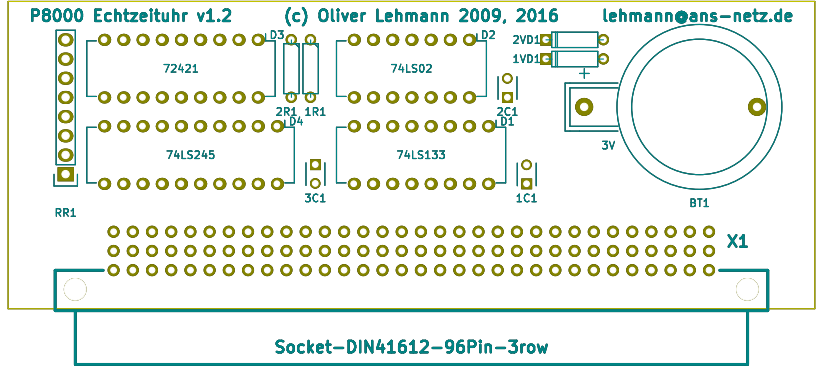
Size: A4

Date: 2016-07-03

Rev: 1.2

KiCad E.D.A. kicad 4.0.1-stable

Id: 1/1



Oliver Lehmann

Sheet:
File: P8000_Echtzeituhr.kicad_pcb

Title: P8000 Echtzeituhr

Size: A4 Date: 2016-07-03

KiCad E.D.A. kicad 4.0.1-stable

Rev: 1.2

Id: 1/1